



# YARD HYDRANT MADE EASY™

Pitless Casing System

## APPLICATION

The Yard Hydrant Made Easy™ (YHME) pitless casing system allows hydrants to be removed quickly and easily without excavation, greatly reducing the time, labor, and expense traditionally associated with replacing, repairing, or inspecting hydrants and associated check valves. The YHME also protects the hydrant against dirt ingress and soil corrosion. The YHME may be installed with any standard ¾" frost-free yard hydrant at virtually any bury depth. (Does not fit canister-style hydrants.)

## FEATURES

### Model 101

- Fits standard ¾" frost-free hydrants (hydrant not included)
- Telescoping casing for 3'-7' hydrant bury-depths
- Slide-in/slide out pitless adapter
- Replaceable o-ring seal
- Filtered drainage section

### Model 303

- Same features as Model 101 *plus*
- ASSE 1024 dual-check-valve back-flow preventer

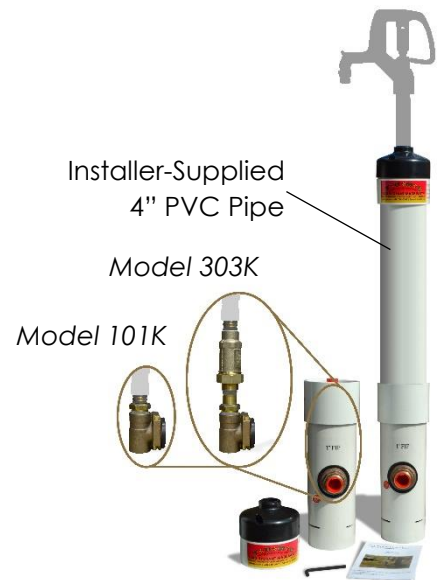
### Kit Models (101K & 303K)

- Same features as Models 101 & 303, *except*
- Instead of a telescoping casing, installer supplies 4" PVC pipe to glue into top & bottom components to meet required bury depth



## MATERIALS

- |                    |   |
|--------------------|---|
| ▪ Casing           | UV-resistant PVC  |
| ▪ Top cap          | UV-resistant ABS  |
| ▪ Drain grates     | UV-resistant ABS  |
| ▪ Filter media     | Nylon mesh  |
| ▪ Pitless adapter  | Lead-free brass (C6802) body, buna-n o-ring   |
| ▪ Dual check valve | Low-lead bronze (ASTM B584) body, buna-n seal rings & o-rings, DELRIN® check assembly |
| ▪ Top cap bolts    | Stainless steel (300-series)  |
| ▪ Sleeve clamp     | Stainless steel (300-series)  |





# YARD HYDRANT MADE EASY™

Pitless Casing System

---

## CERTIFICATIONS

Dual check valve certified as follows: ASSE®-Listed 1024; CSA®-Certified B64.6; NSF®-Listed, Std. 61, Annex G; Certified to NSF/ANSI 372 by IAPME R&T

## COLOR

- Models 101 & 303: Grey outer casing, black inner casing, black top cap
- Models 101K & 303K: White casing components, black top cap

## ADDITIONAL NOTES

- The Yard Hydrant Made Easy™ does not come with a hydrant but is designed to work with any standard, ¾" frost-free yard hydrant (not canister-style).
- Kit models for standard 1" hydrants are also available, on a made-to-order basis. See drawing below for models 101K+ and 303K+. These models deliver the same features as the 101K and 303K, except that the fittings and check valve are up-sized to 1" pipe diameter.
- Nominal hydrant size for standard yard hydrants on the market is derived from the inlet connection at the bottom of the hydrant, not the actual riser pipe size. Standard hydrants use a riser pipe that is one pipe-size higher than the nominal (inlet) size. For example, a standard, ¾" hydrant will have a 1" riser pipe, and a standard, 1" hydrant will have a 1-1/4" riser pipe.

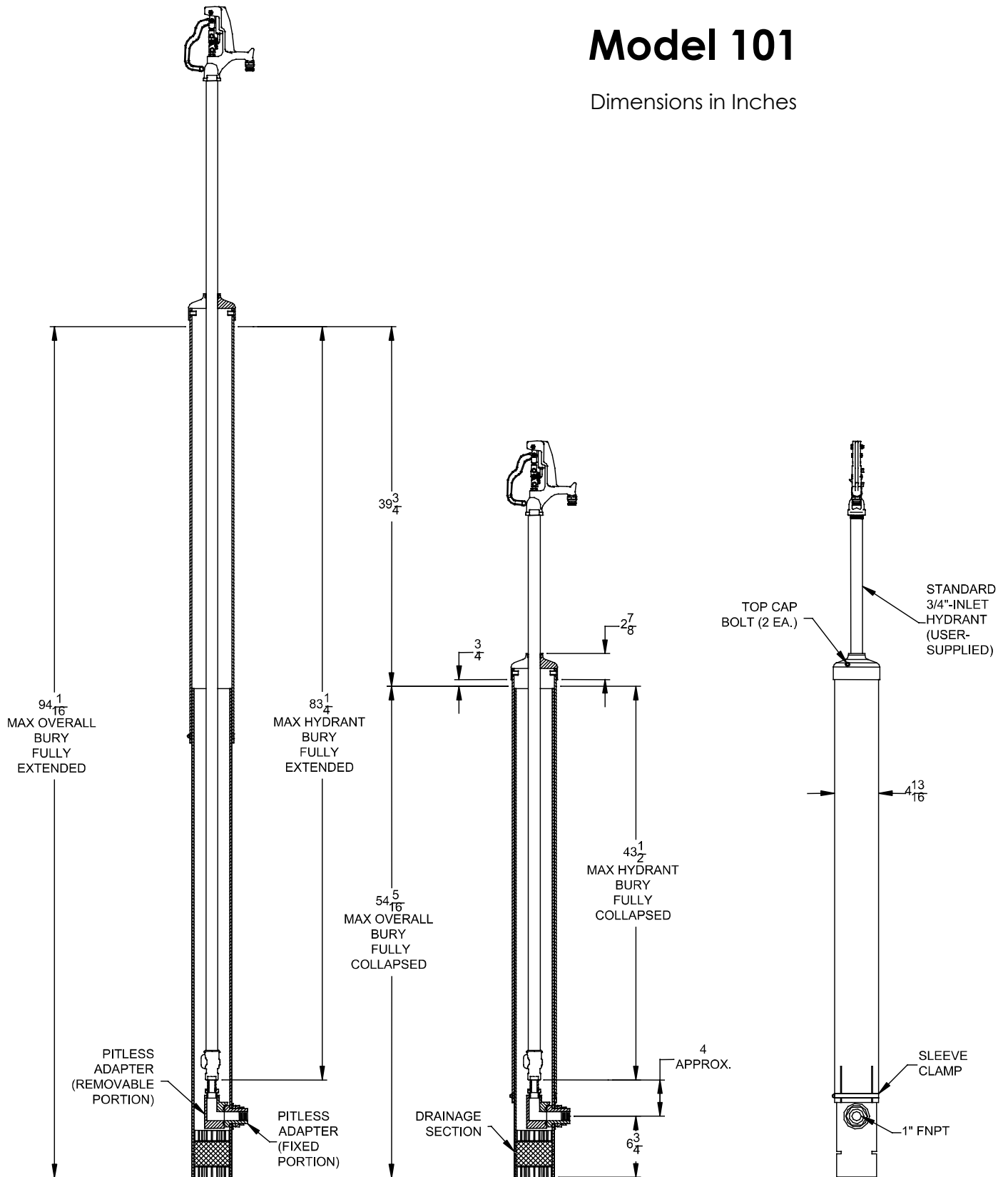


# YARD HYDRANT MADE EASY™

Pitless Casing System

## Model 101

Dimensions in Inches



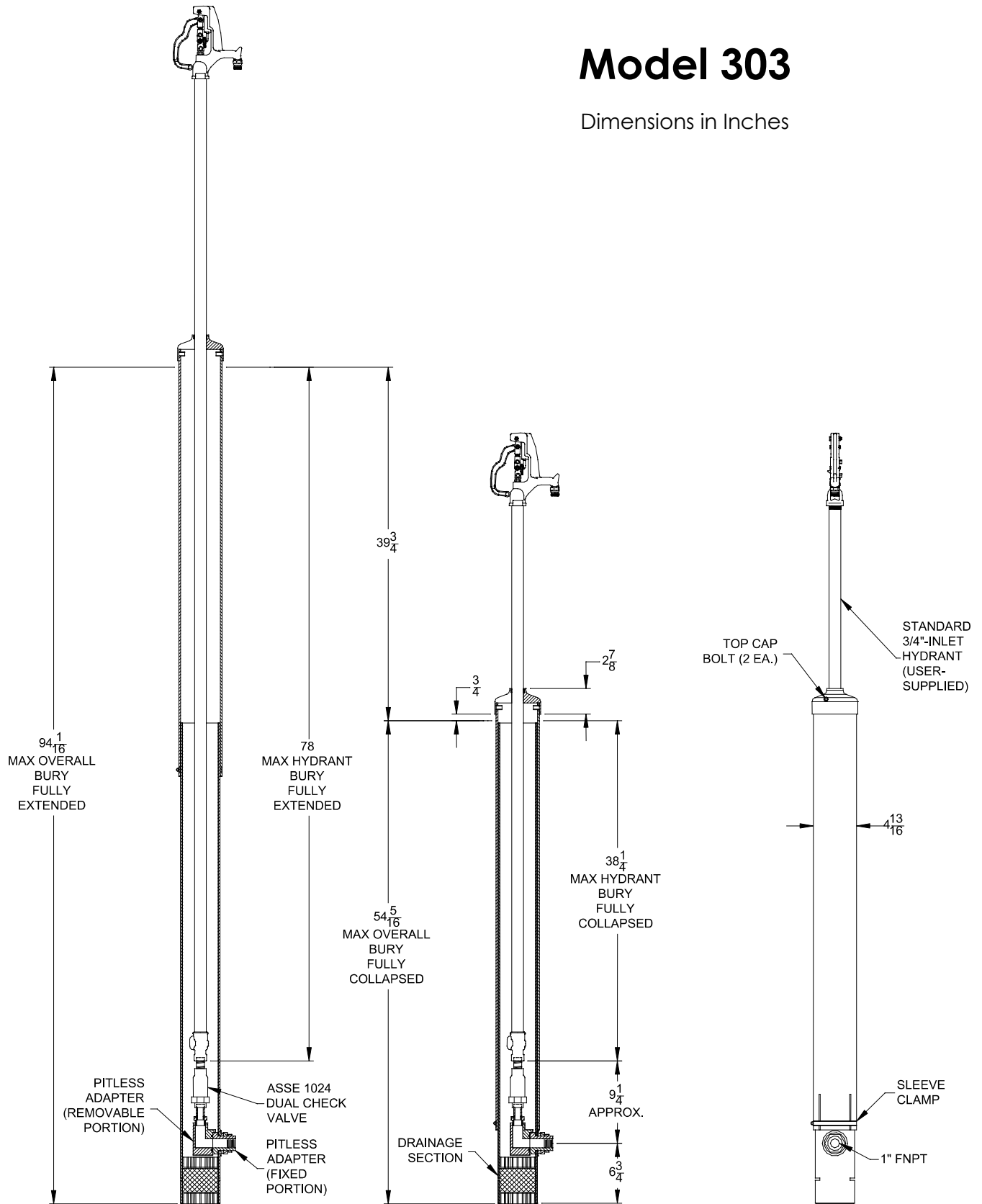


# YARD HYDRANT MADE EASY™

Pitless Casing System

## Model 303

Dimensions in Inches



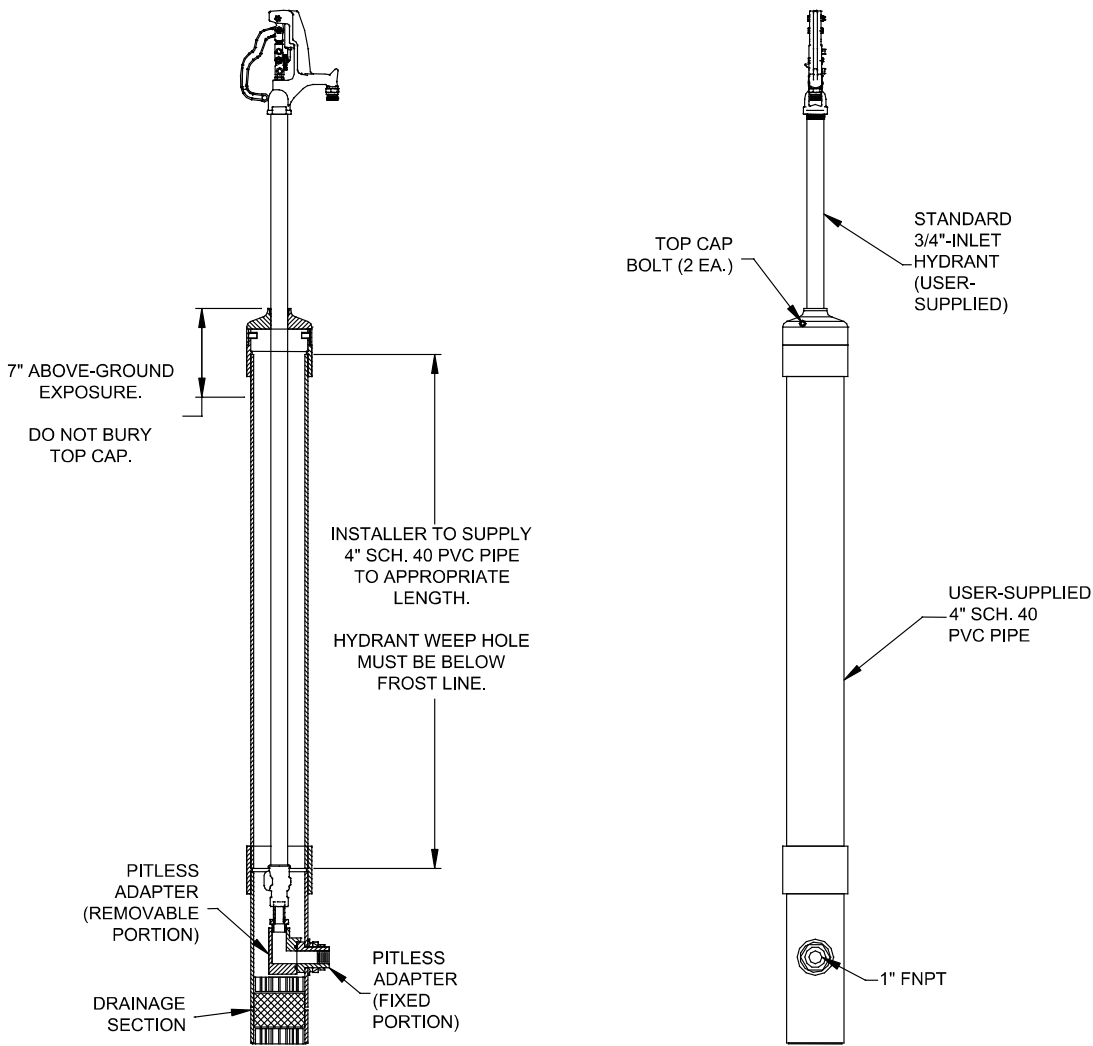


# YARD HYDRANT MADE EASY™

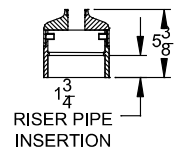
Pitless Casing System

## Model 101K

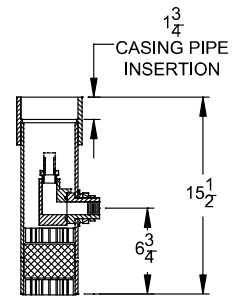
Dimensions in Inches



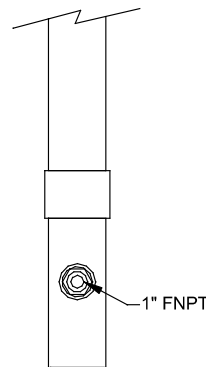
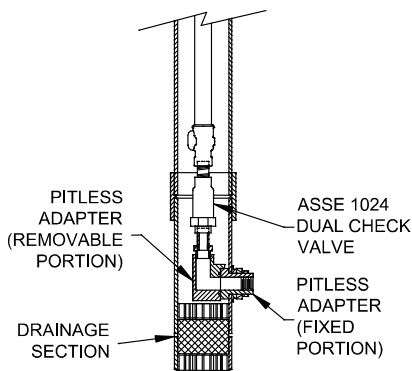
### TOP CAP ASS'Y



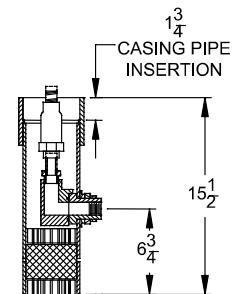
### DOWNHOLE ASS'Y



## MODEL 303K



### DOWNHOLE ASS'Y



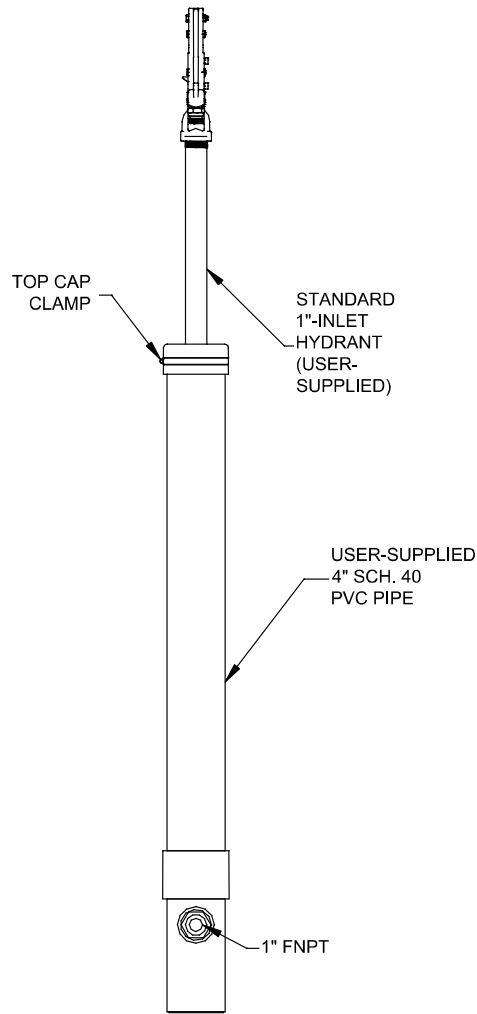
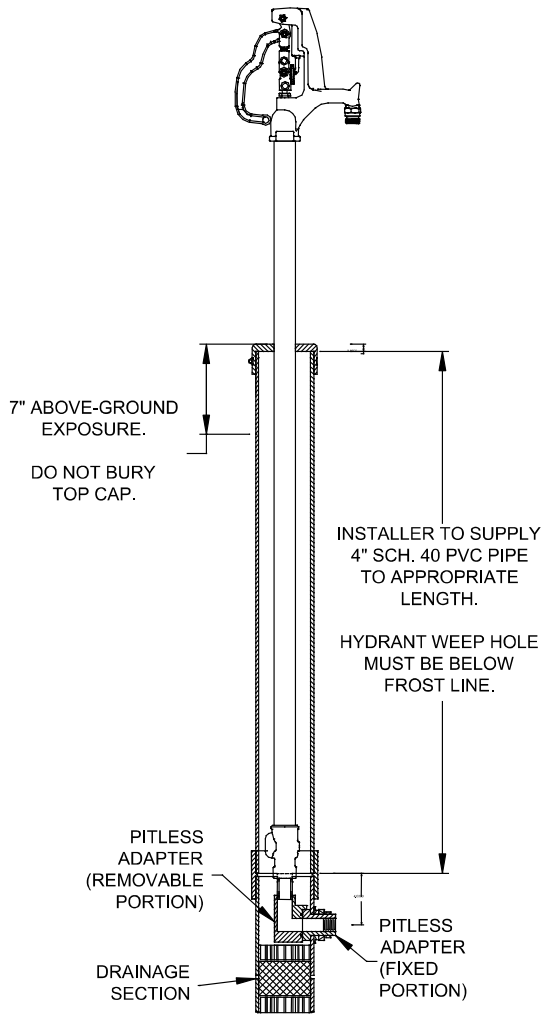


# YARD HYDRANT MADE EASY™

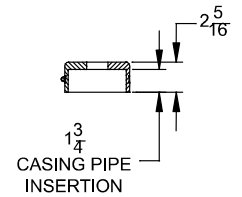
Pitless Casing System

## Model 101K+

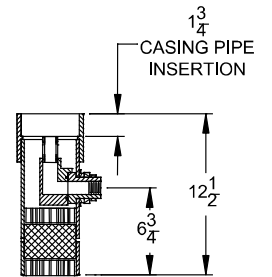
Dimensions in Inches



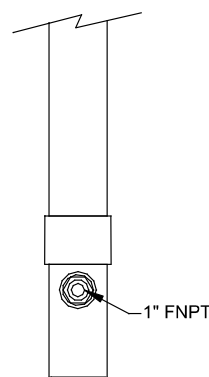
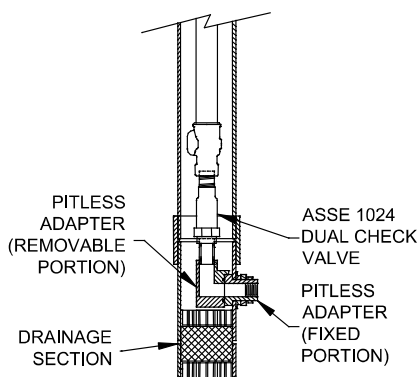
### TOP CAP ASS'Y



### DOWNHOLE ASS'Y



## Model 303K+



### DOWNHOLE ASS'Y

